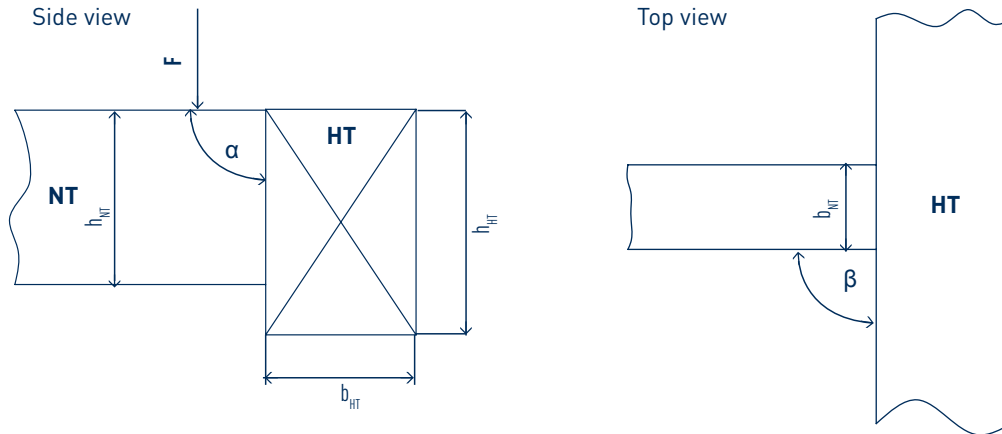


# Dimensioning template

## For main beam (HT) - secondary beam (NT)



Executing company			
Contact person			
Postcode		Place	
Phone		Fax	
E-mail			
Building project			

### Geometry main beam:

Material:	<input type="checkbox"/> Softwood <input type="checkbox"/> Glulam
Strength class:	
Wood type:	<input type="checkbox"/> spruce, pine, fir <input type="checkbox"/> Douglas fir <input type="checkbox"/> other type of wood
Width ( $b_{HT}$ ) [mm]:	
Height ( $h_{HT}$ ) [mm]:	

### Geometry secondary beam:

Material:	<input type="checkbox"/> Softwood <input type="checkbox"/> Glulam
Strength class:	
Wood type:	<input type="checkbox"/> spruce, pine, fir <input type="checkbox"/> Douglas fir <input type="checkbox"/> other type of wood
Width ( $b_{NT}$ ) [mm]:	
Height ( $h_{NT}$ ) [mm]:	

### Connection angle:

<input type="checkbox"/> horizontal $\beta$ [°]	
<input type="checkbox"/> vertical $\alpha$ [°]	

### Load:

Utilisation class:	<input type="checkbox"/> 1 <input type="checkbox"/> 2
<input type="checkbox"/> Design load (F) [kN]:	
<input type="checkbox"/> Characteristic load (F) [kN]:	Constant load: Variable load:
Load duration:	<input type="checkbox"/> permanent <input type="checkbox"/> long-term <input type="checkbox"/> medium-term <input type="checkbox"/> short-term <input type="checkbox"/> very short-term

**Tip:** Our dimensioning software is available to download free of charge at [www.sihga.com](http://www.sihga.com)!

Accurate completion of the dimensioning template enables fast and reliable dimensioning.